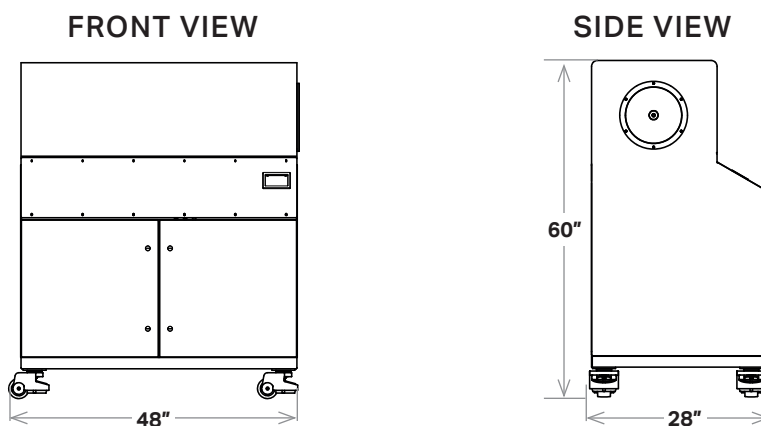


Sinter-2

With a huge active hot-zone (19,644 cubic cm / 1,199 cubic in), the Sinter-2 is the perfect solution for larger parts or batch production. This workhorse furnace processes the full range of commercial grade metals from their washed state into dense metal parts.

Furnace Properties	Materials Supported	Commercial Grade Metals Including: Stainless Steels, Tool Steels, Inconel, & Titanium
	Heating Element	Kanthal
	Controller	Pre-Programmed Automatic Cycling
	Peak Temperature	1300° C / 2372°F
	Sintering Capacity	Cylindrical - 248 mm ID x 406 mm L (9.8 in ID x 16 in L)
	Sintering Volume	19,644 cubic cm (1,199 cubic in)
	Gas Types	Inert and Mix Gases
	Retort	High Purity Refractory Retort (Carbon Free)
	Sintering Surface	Stackable Ceramic Setter Plates
Safety & Installation	Environmental Req.	External Exhaust (100 CFM)
	Power	200 - 240 V 3-Phase 60A
	Over Temperature	Protection System Included
Physical Dimensions	External Dimensions	1,200 x 700 x 1,500 mm (48 x 28 x 60 in)
	Weight	350 kg (772 lbs)



Note: All specifications are approximate and subject to change without notice



Print the Future

www.3dz.es
info@3dz.es